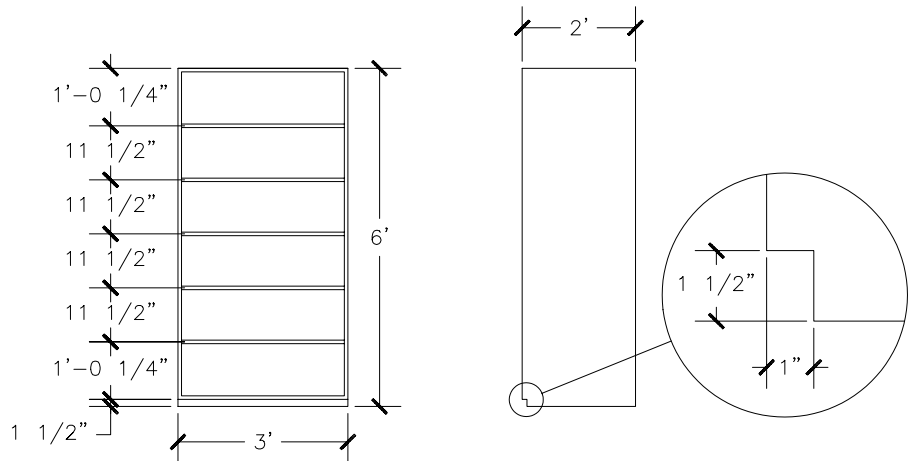


CHAPTER 38 EXERCISES

Construct solid models from the drawings shown and described below.

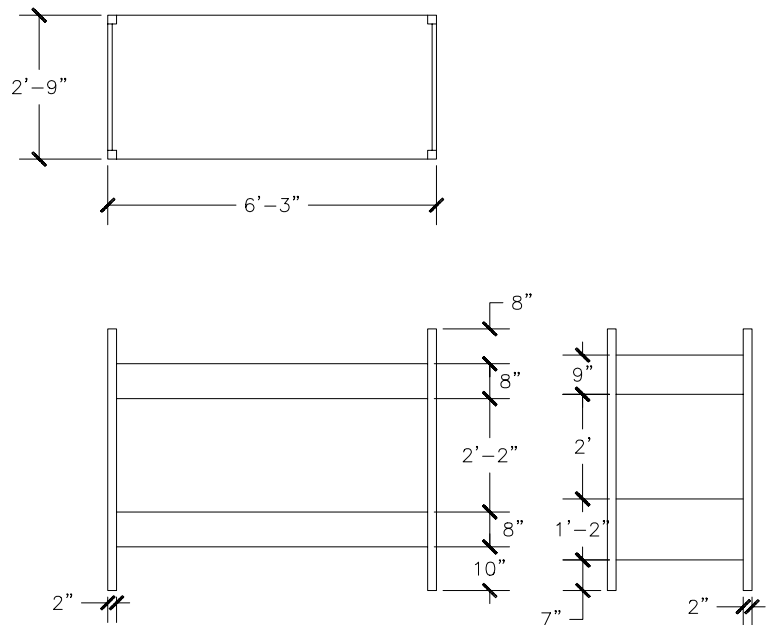
- Construct a solid model of the bookcase shown in Figure AR38-1. The thickness of the lumber is $3/4"$. The kickplate (on the bottom front) is $1-1/2" \times 1"$. Save as **BOOKCASE**.

Figure AR38-1



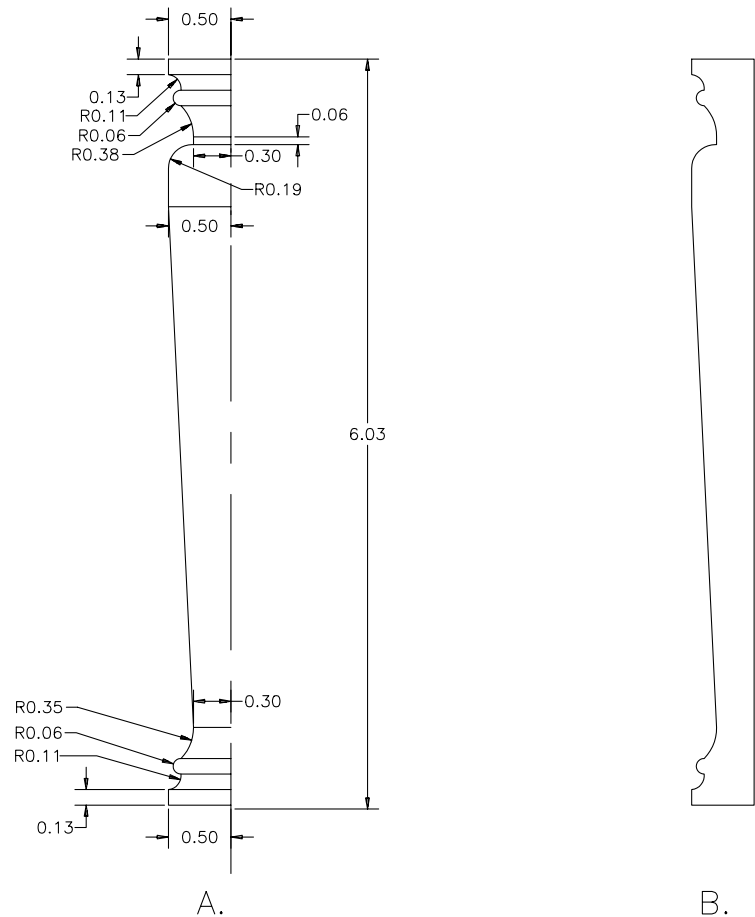
- Complete a solid model of the bunk bed set shown in Figure AR38-2. Do not *Union* the components. Save as **BUNKBED**.

Figure AR38-2



3. Make a solid model of the stair spindle shown in Figure AR38-3. Draw only one half of the profile according to the dimensions (Figure AR38-3, A). Convert the profile to a *Pline* as shown in Figure AR38-3, B. *Revolve* the profile around the center axis to create the solid. *Save* as **SPINDLE**.

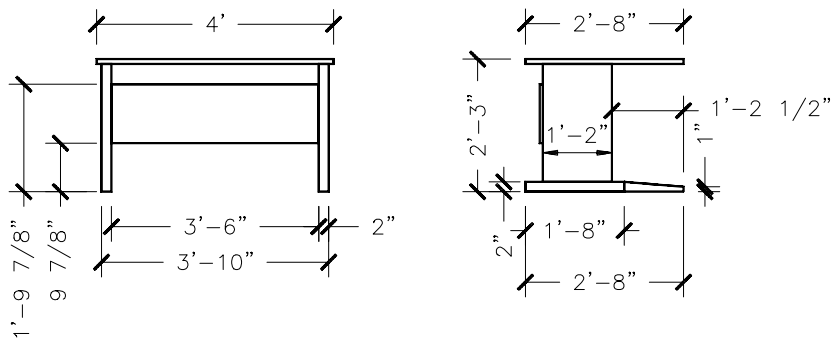
Figure AR38-3



4. Create the required solid models of each of the five components shown in Figure AR38-4. Use *Extrude* to create solids for the parts. Use the following thicknesses:

- Table Top = 1"
- Privacy Plate = .125"
- Left and Right Panels = 2"
- Base = 2"

Figure AR38-4



Create the casters by drawing a *Cylinder* with a diameter of 2-1/2" and a height of 1".

Use the *Align* command or other method(s) to assemble the parts of the computer table. Your completed table should look like that shown in Figure AR38-5. *Save* as **C-TABLE**.

Figure AR38-5 _____

