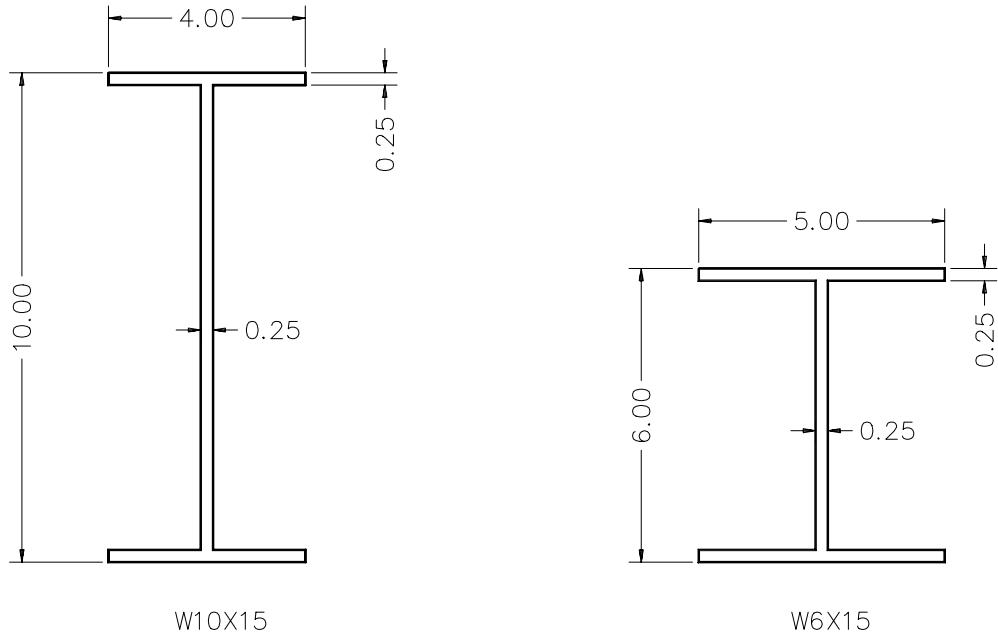


## CHAPTER 9 EXERCISES

### 1. I-Beams

Draw the W10x15 beam shown in Figure CE9-1. *SaveAs W10X15*. Use the *Stretch* command to modify the beam to the dimensions for the W6x15. *SaveAs W6X15*.

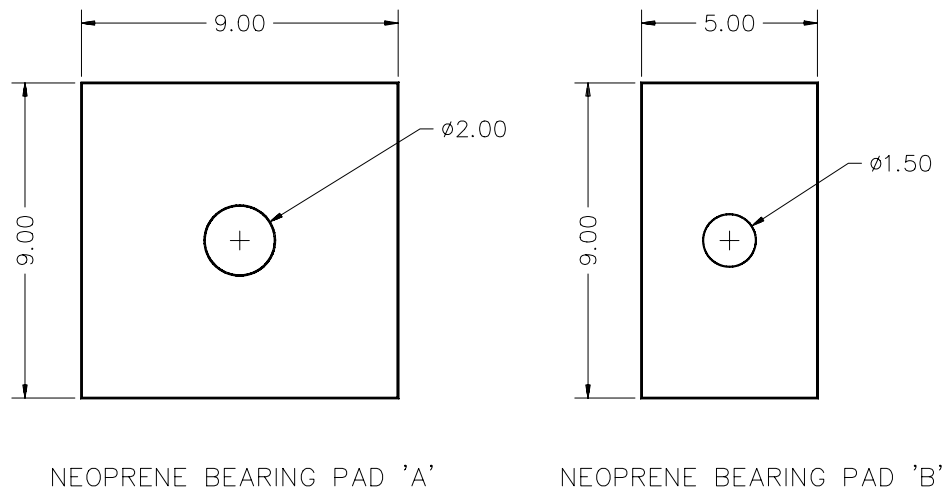
Figure CE9-1



### 2. Bearing Pads

Draw the bearing pad "A" as shown in Figure CE9-2. Then, use the *Stretch* and *Scale* commands to make the changes needed for pad "B". *SaveAs BEARPADS*.

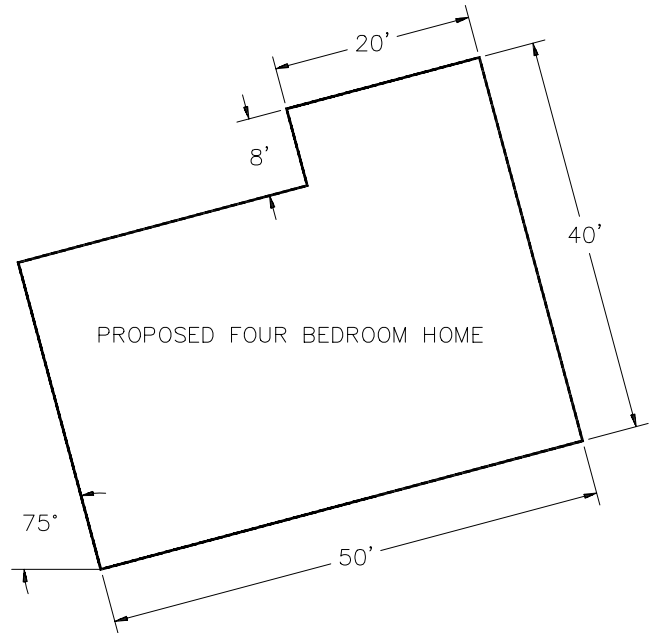
Figure CE9-2



3. Plot Plan

An engineer wishes to locate a house on a plot of land with a 15° angle from due north. Draw the house per the dimensions shown in Figure CE9-3 using the *Polar Snap* and *Polar Tracking* features to aid in placing the house on the plot plan. **SaveAs PLOT-PLAN.**

Figure CE9-3



4. Printed Circuit Boards

Complete the drawing of PCB1 shown in Figure CE9-4. **SaveAs PCB1.** Change the sizes of the holes to create **PCB2** and **SaveAs PCB2.**

Figure CE9-4

