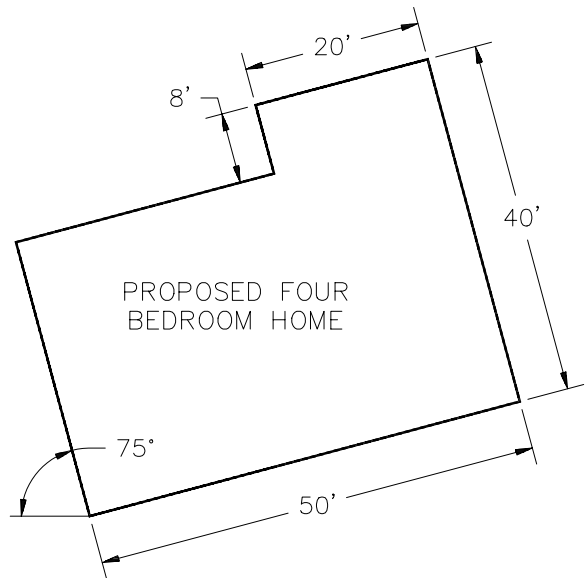


CHAPTER 29 EXERCISES

1. Plot Plan Footprint

Open the CE9EX3 drawing from the Chapter 9 Exercises. Add *Text* as well as *Linear* and *Angular* dimensions as shown in Figure CE29-1. The drawing will later be *Inserted* onto a plot plan and printed at a scale of 1"=10', thus the *DIMSCALE* should be changed to result in 1/8" text at this scale. You will need to change some of the dimension variables with the *Ddim* command in order to achieve the result shown. Be sure to place your dimensions on a separate *Layer*. *SaveAs* CE29EX1.

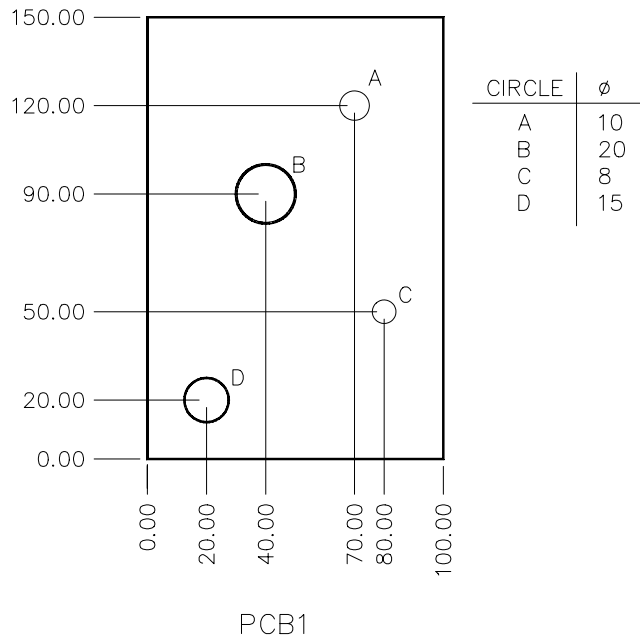
Figure CE29-1



2. PCB Board

Open the PCB1 drawing of the printed circuit board from the Chapter 9 Exercises. Use *Ordinate* dimensions and add a table for the diameter of the holes to complete the drawing as shown in Figure 29-2. Adjust the *DIMSCALE* and *Plot* the drawing at 1=1 Metric. *Save* the changes to the drawing file.

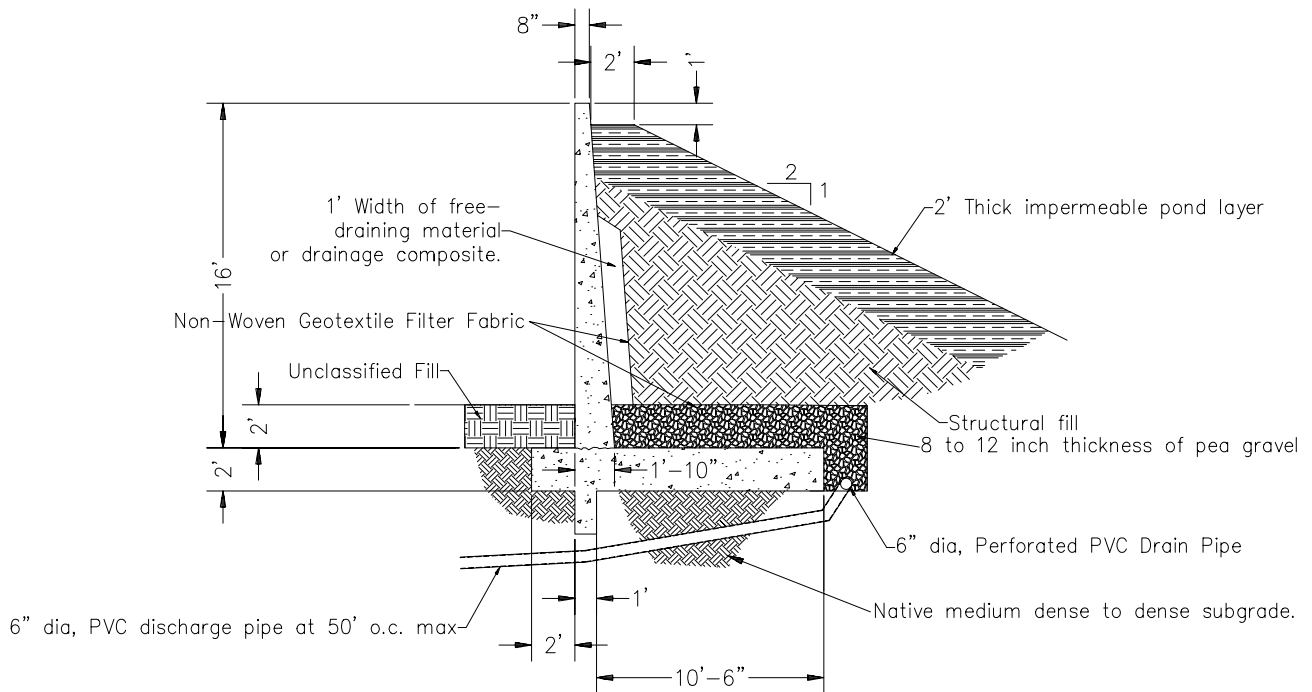
Figure CE29-2



3. Retaining Wall

Open the RETWALL drawing from the Chapter 26 Exercises. The figure will be plotted at a scale of $\frac{1}{4}''=1'-0''$. Add dimensions and leaders as shown in Figure 29-3. Save all changes made to the drawing.

Figure CE29-3



4. Slide Gate

Open the drawing CE25EX2 from the Chapter 25 Exercises. Complete the drawing of the slide gate detail as shown in Figure CE29-4. The DIMSCALE should be set to produce $\frac{1}{8}''$ text at a scale of $\frac{1}{2}''=1'-0''$. After drawing the *Aligned* dimensions in the isometric view, use *Oblique* at the Dim: prompt to change the angle of the extension lines to 60 degrees. SaveAs CE29EX4.

Figure CE29-4

