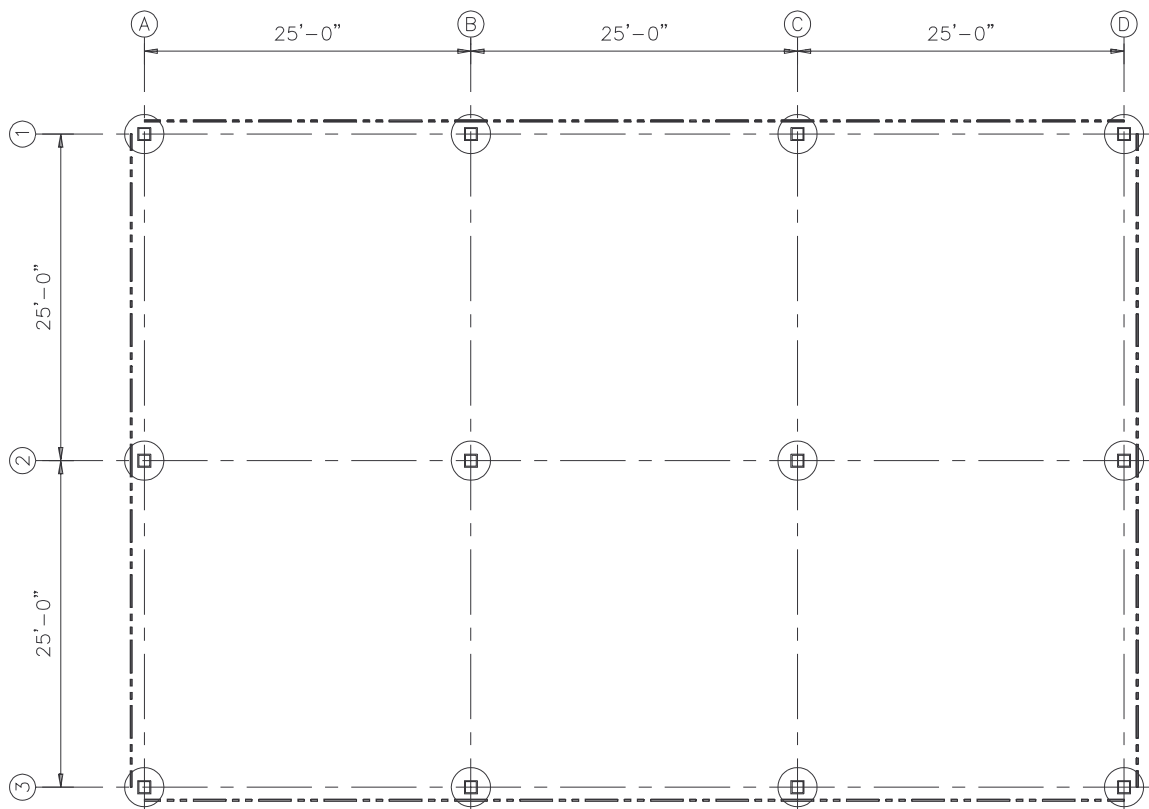


CHAPTER 33 EXERCISES

1. Column Framing Plan

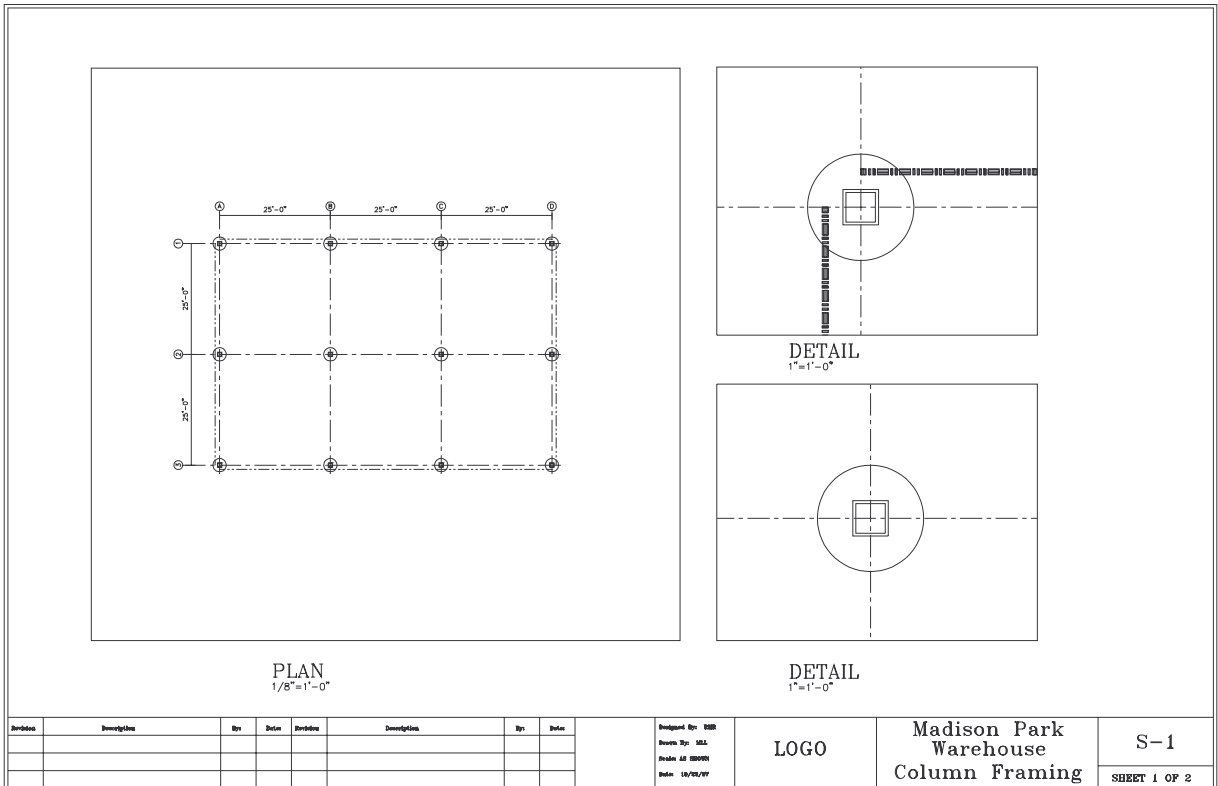
Open the CE16EX2 drawing from the Chapter 16 Exercises. Modify the columns to be TS10x10x1/2 and the foundation piers to be 36" diameter as shown in Figure CE33-1. Add column lines and dimensions as shown (*DIMSCALE* should be set to 96). Activate a *Layout* and *Insert* TBLK_D into paper space. Modify the titleblock as necessary for the correct drawing title.

Figure CE33-1



Create three viewports as shown in Figure CE33-2 (one for the plan and two for enlarged detail views of the plan). The plan view should be scaled to plot at 1/8"=1'-0" (*Zoom 1/96XP*) and the detail views should be set to plot at 1"=1'-0". Add labels and scale notes to each view of the drawing. In order to display linetypes correctly, set *PSLTSCALE* to 1 and set the *LTSCALE* to .5. *SaveAs FRAMEPLN*.

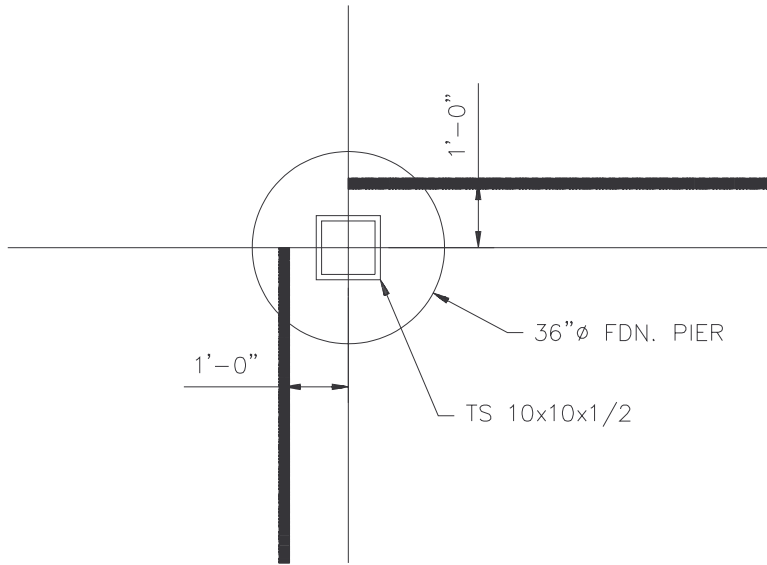
Figure CE33-2



2. Detail Plans

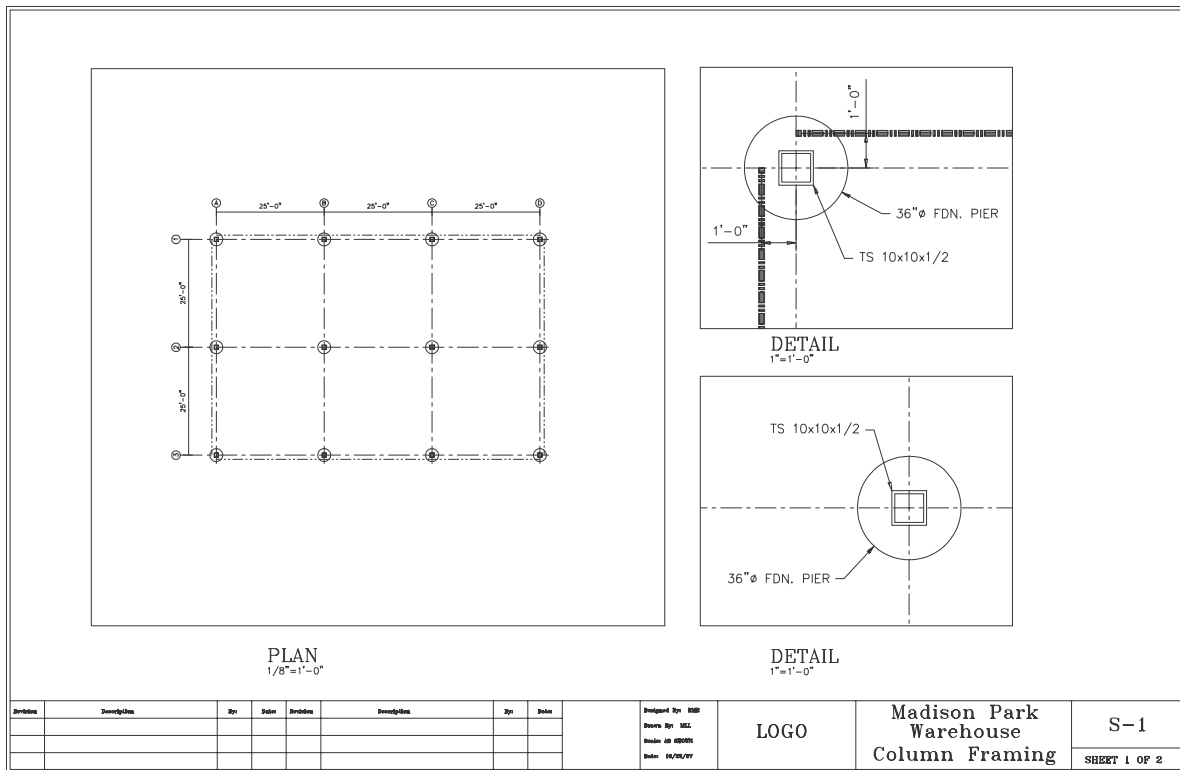
Figure CE33-3

Continue working on the drawing from the previous exercise. Create an additional **Layer** for the dimensions to be added to the detail views (e.g., **DIM2**). In model space, dimension the exterior column detail as shown in Figure CE33-3, using a **DIM-SCALE** of **12**. For the interior column detail, simply add **Leaders** to indicate the size of the column and the foundation pier. You will notice that these dimensions will appear in the overall plan view also.



In model space, select the overall plan viewport, and through the **Layer Control** drop-down list **Freeze** the **DIM2** layer in that viewport only (Fig. CE33-4). In paper space, **Freeze** the layer for the viewports. **Save** your work.

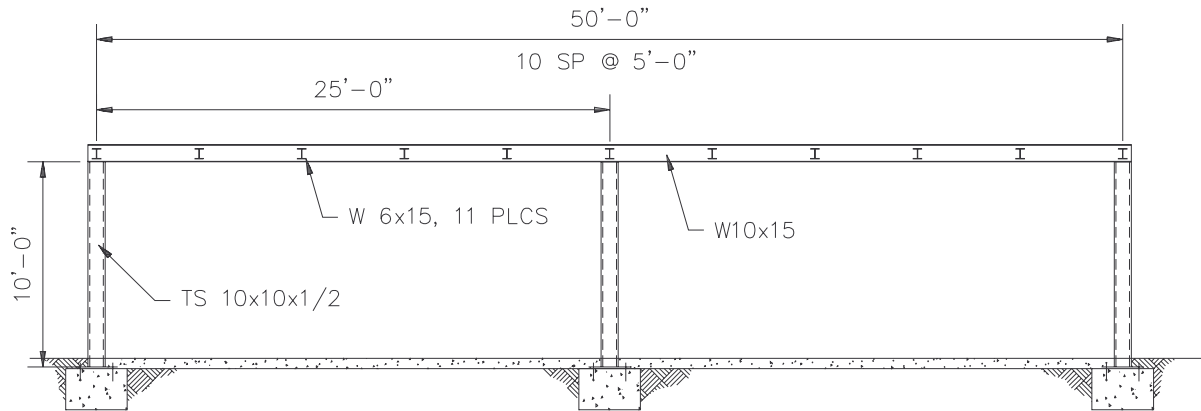
Figure CE33-4



3. Framing Section

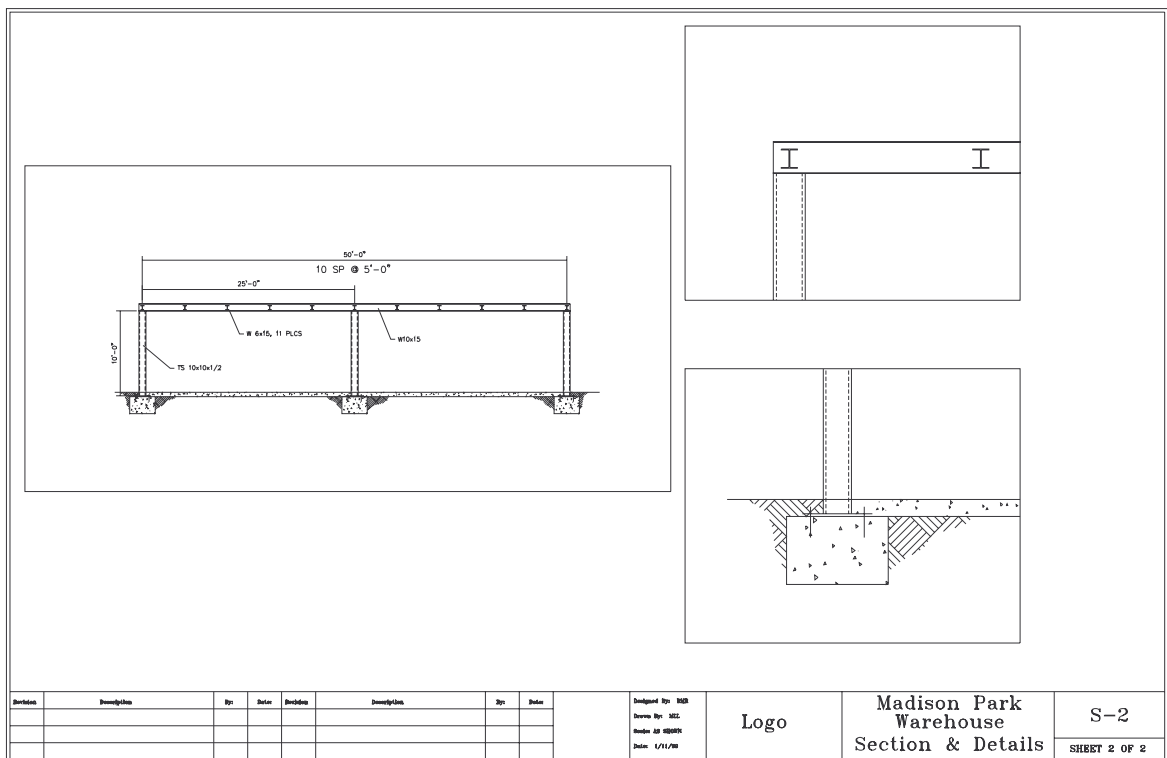
Open the **FRAMING** drawing from the Chapter 26 Exercises. In model space, add dimensions as shown in Figure CE33-5. Set the **DIMSCALE** so that the view will plot at 1/4"=1'-0".

Figure CE33-5



In the *Layout*, add two more viewports as shown in Figure CE33-6. Scale these detail views to 1"=1'-0". Use the *Layer Properties Manager* so that the dimensions from the full section do not display in the detail views. Remember to change the necessary settings to have the linetypes plot correctly. *Save* your changes.

Figure CE33-6



4. Connection Details

Continue working on the **FRAMING** drawing from the previous exercise. In paper space, dimension the detail views as shown in Figure CE33-7 and CE33-8. In order to dimension correctly in paper space, set the *DIMSCALE* to 1 and the *DIMLFAC* to 12 (since the drawing is 1/12 scale). To complete the drawing, add labels and scale notes to each view and *Freeze* the viewports layer.

Figure CE33-7

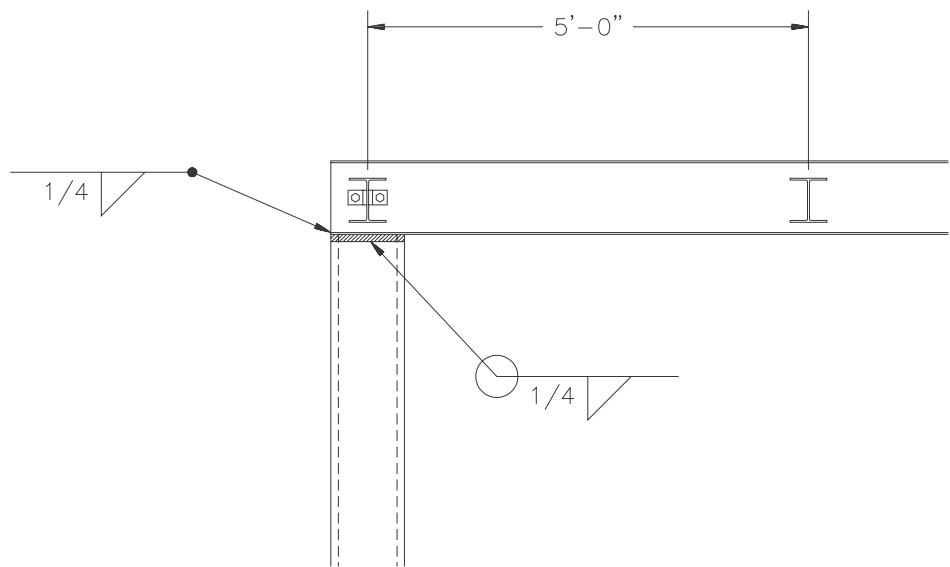
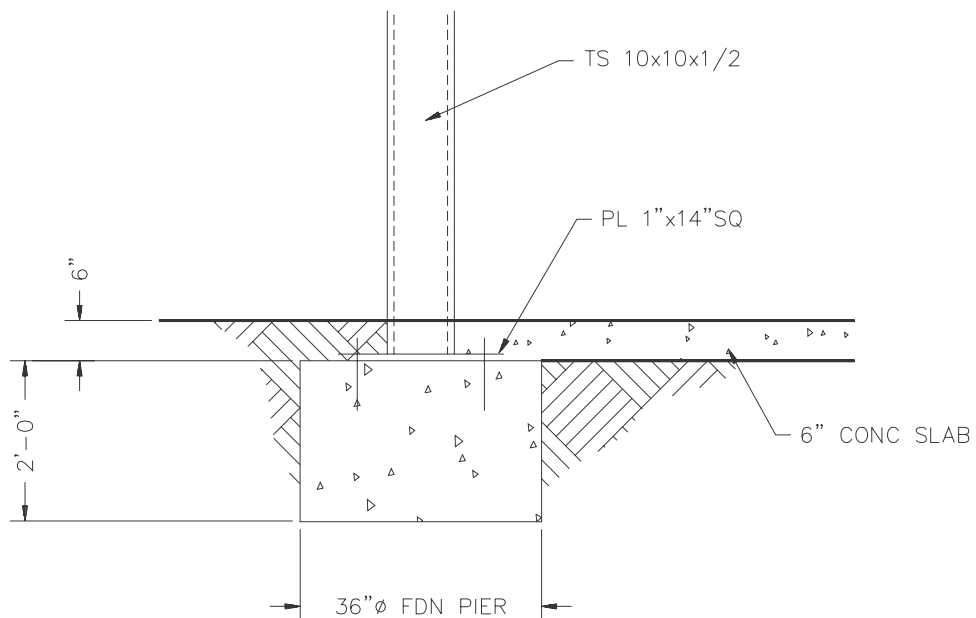


Figure CE33-8



The completed drawing should look like Figure CE33-9. Use the *Page Setup* dialogue box from the *Layout* tab to edit a plot style so that the object and border lines are thick, the text and dimensions are medium, and the hatch pattern is thin. Make a *Plot* of the drawing at 1:1 on D-size paper. *Save* your drawing.

Figure CE33-9

