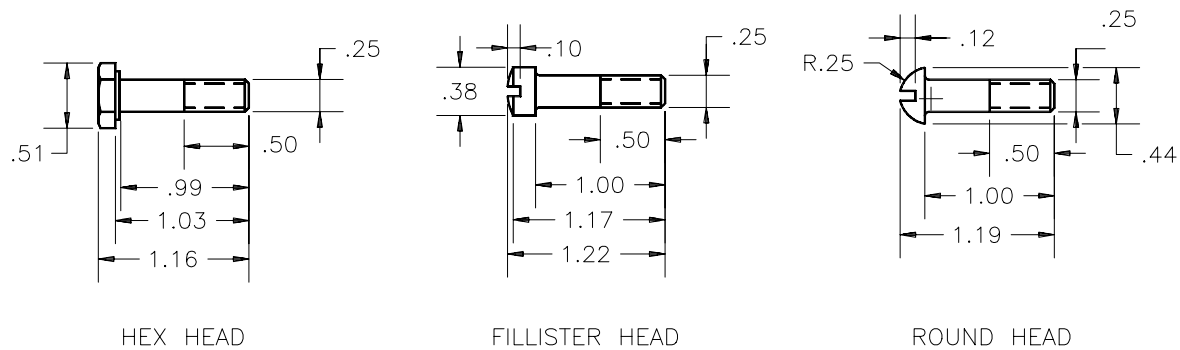


CHAPTER 21 EXERCISES

1. Fasteners

Complete the drawing of the three fasteners shown in Figure ME21-1. Create a **Block** for each of the fasteners. Do not include the dimensions or the text in your drawing. Name the **Blocks** as indicated in Figure ME21-1. **Save** the drawing as **CH21EX1-M**.

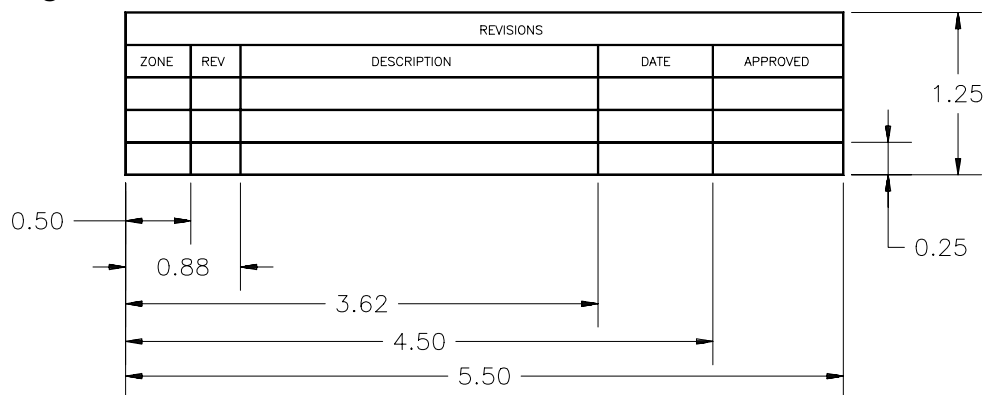
Figure ME21-1



2. Revision Block and Title Block Creation

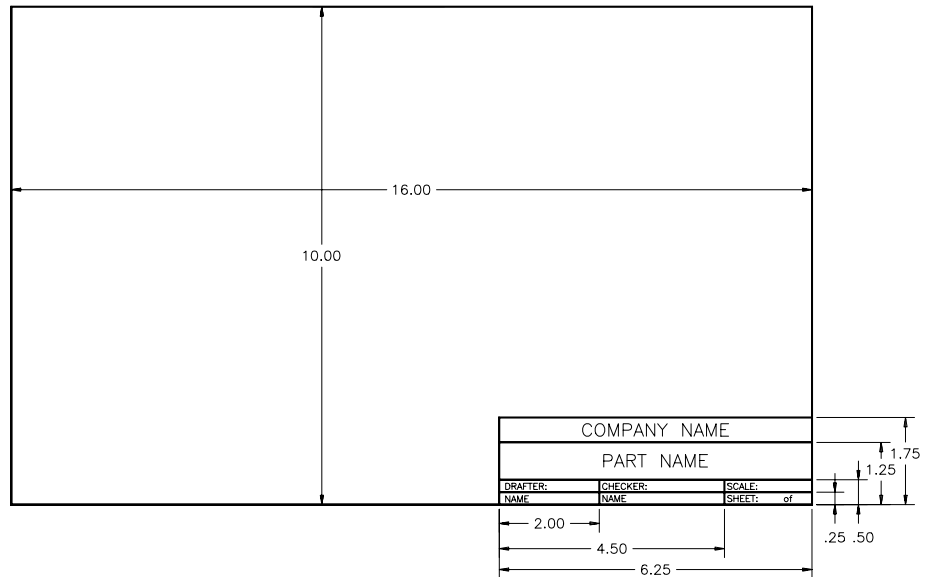
- A. Begin a *New* drawing. Create *Layers* named **RBLK** and **RBTEXT**. On the layer named **RBLK** draw a *Rectangle* 5.5 x 1.25 and add *Text* and *Lines* as shown in Figure ME21-2. **Save** the drawing as **RBLK**.

Figure ME21-2



- B. Begin a *New* drawing and create the title block and border as shown in Figure ME21-3. *Save* this drawing as **TITLEBLK**.

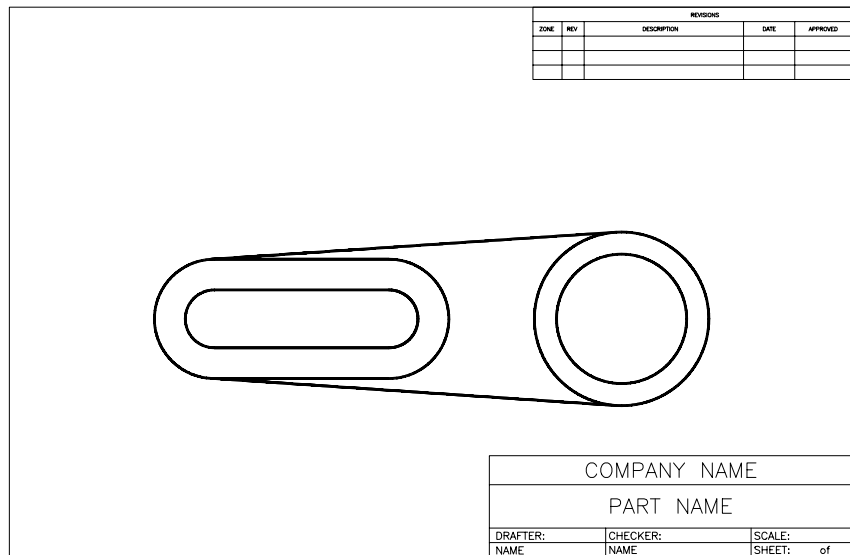
Figure ME21-3



3. *Insert*

Open the drawing of the Hinge Bracket named **CH8EX3-M**. Activate a new layout and use *Pagesetup* to specify a *Plot Device* and *Paper size* for a 17 x 11 (B size) sheet. (If you do not have a B size plot device, use *Plotter Manager* to configure a **Hewlett-Packard 7475A**). Use *Insert* to place a copy of the title block drawing (**TITLEBLK**) and the revision block drawing (**RBLK**) as shown in Figure ME21-4. *Save* the drawing as **CH21EX3-M**.

Figure ME21-4



4. **Weld Symbols**

Complete the drawing of the weld symbols shown in Figure ME21-5. Use *Wblock* to create a separate drawing for each of the symbols. The *Block* names to be used are indicated below each weld symbol in Figure ME21-5 (do not include the text representing the block names in your drawing). *Save* the drawing as **CH21EX4-M**.

Figure ME21-5

