

CHAPTER 20 EXERCISES

1. Screws

Complete the drawing of the screw shown in Figure ME20-1. *Group* the items together and *Copy* the *Group* two times so there is 1.5" spacing between the screw centers as shown in Figure ME20-2. Add the *Lines* to represent an assembly. *Save* the drawing as CH20EX1-M.

Figure ME20-1

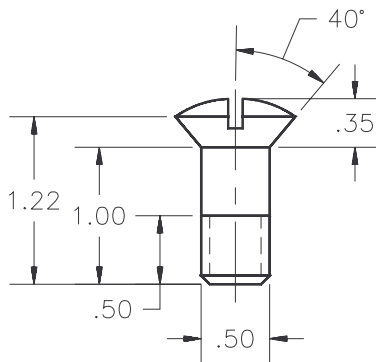
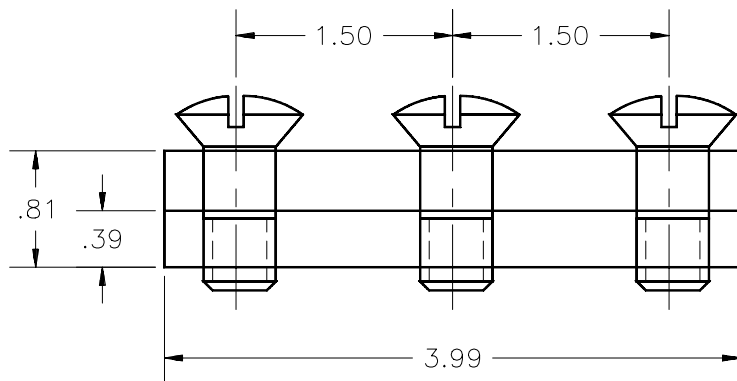


Figure ME20-2



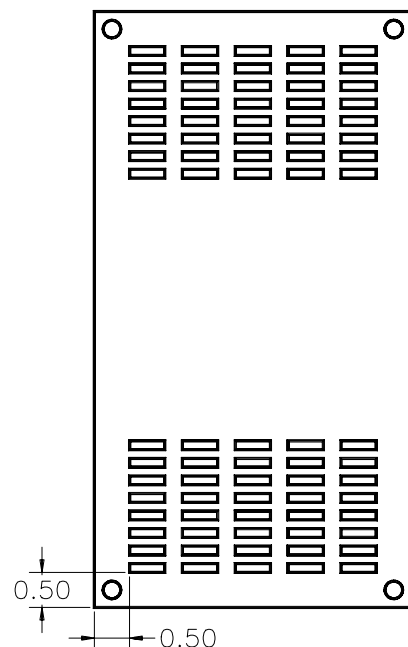
2. Ventilation Panel (Part 1)

Open the ventilation panel created in Chapter 10 Exercise 3 named VENTPNL. Create a new *Layer* named *Holes*. Use *Object Selection Filters* to filter out all the objects except for the *Circles*. Use *Properties* to change the layer of the filtered objects to *Holes*. *List* one of the holes to ensure its layer has changed.

3. Ventilation Panel (Part 2)

Using the same drawing as the previous exercise, *Group* all of the rectangular vent openings and *Copy* the *Group* as shown in Figure ME20-3. Use *Qselect* and *Properties* to find and move the vent openings to a new *Layer* named *Vents*. *SaveAs* CH20EX3-M.

Figure ME20-3



4. Gear Train

Open the SGEAR drawing created in Chapter 10 Exercise 2. Use **Group** to assign all objects to one group named **GEAR**. Copy the **Group** to complete the gear train shown in Figure ME20-4. SaveAs CH20EX4-M.

Figure ME20-4

