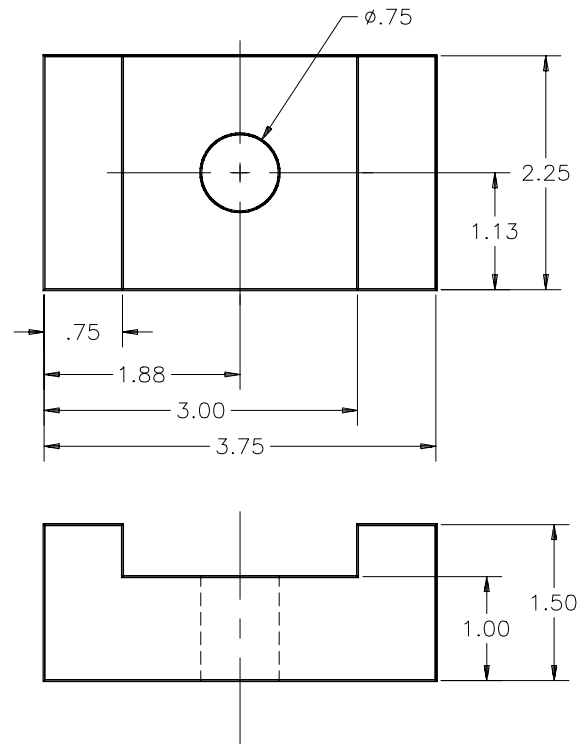


CHAPTER 28 EXERCISES

1. Slide Block

Open the drawing of the slide block from CH25EX1-M. Complete the drawing as shown in Figure ME28-1 by adding the *Diameter* and the *Linear* dimensions. SaveAs CH28EX1-M.

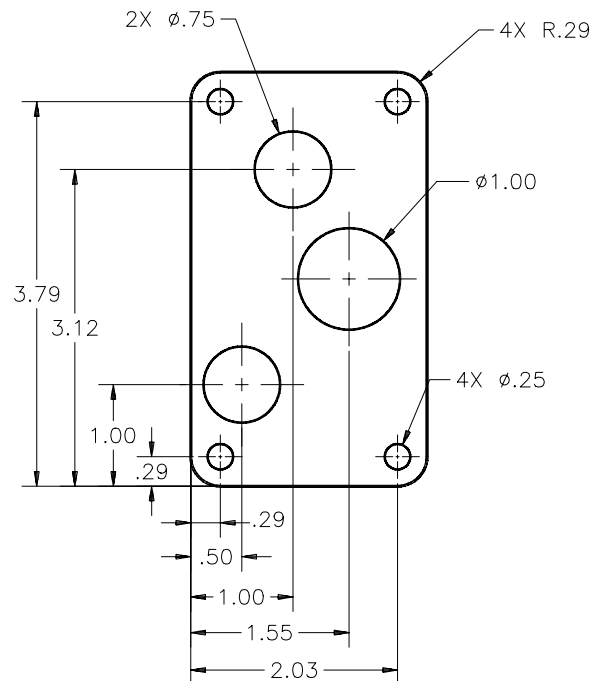
Figure ME28-1



2. Plate

Complete the drawing of the plate in Figure ME28-2. Create all location dimensions as *Ordinate* dimensions. Save the drawing as CH28EX2-M.

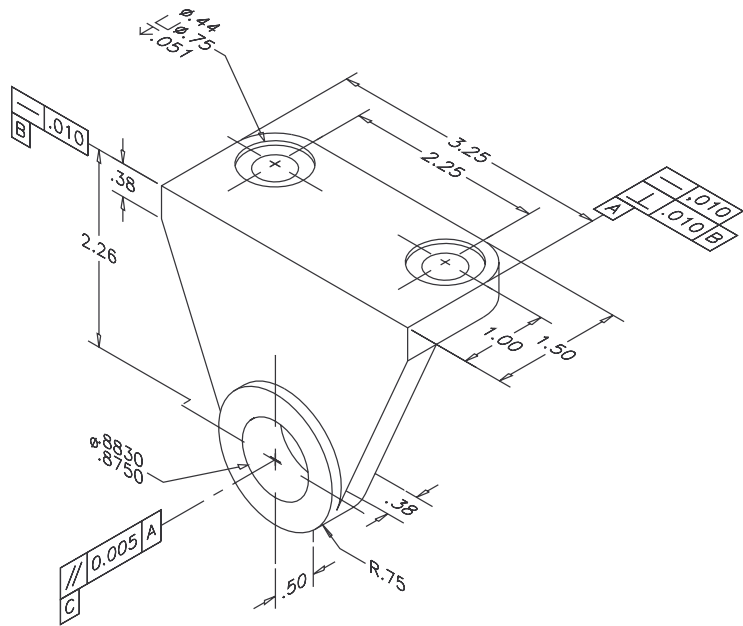
Figure ME28-2



3. Control Bracket

Draw all necessary views of Figure ME28-3. Place all dimensions and tolerance notations as shown. Save the drawing as CH28EX3-M.

Figure ME28-3



4. Mounting Bracket

Complete a multiview drawing including the dimensions of the mounting bracket shown in Figure ME28-4. Save the drawing as CH28EX4-M.

Figure ME28-4

