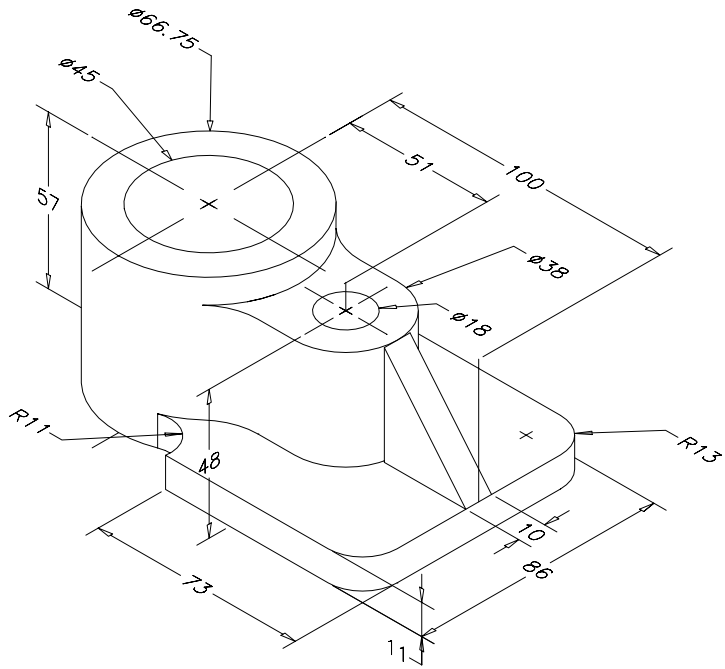


CHAPTER 29 EXERCISES

1. Bearing Support

Complete a multiview drawing with dimensions of the bearing support shown in Figure ME29-1. Change *DIMSCALE* to 25.4 and *LTSCALE* to 12. Save the drawing as **CH29EX1-M**.

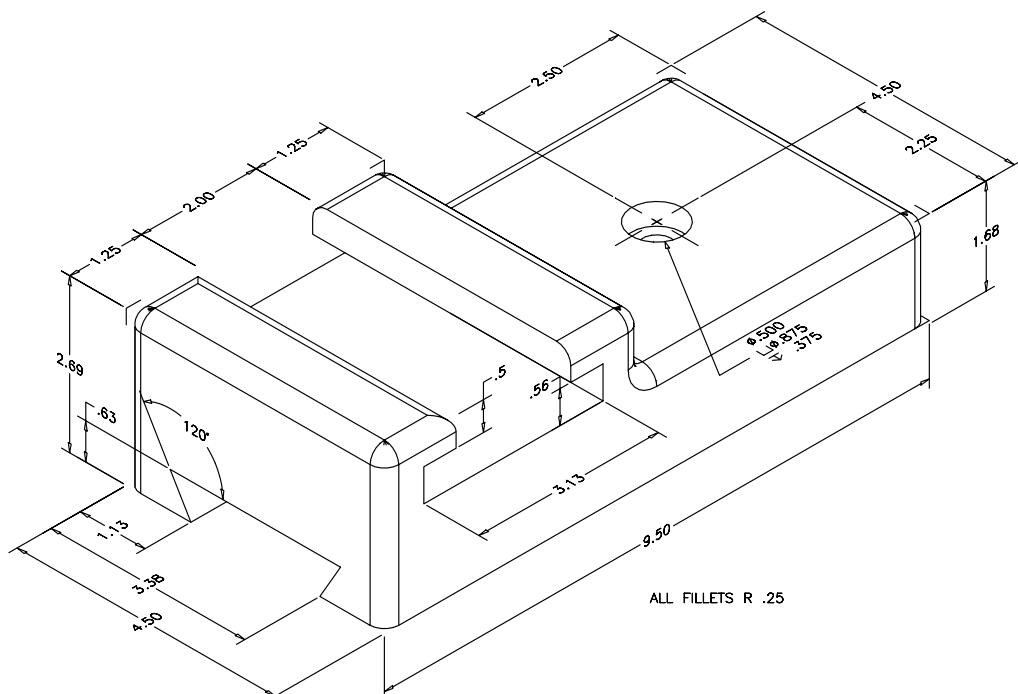
Figure ME29-1



2. Dovetailed Slide

Complete a multiview drawing of the dovetailed slide in Figure ME29-2. Use dual dimensions by setting the *DIMALT* variable appropriately. Save the drawing as **CH29EX2-M**.

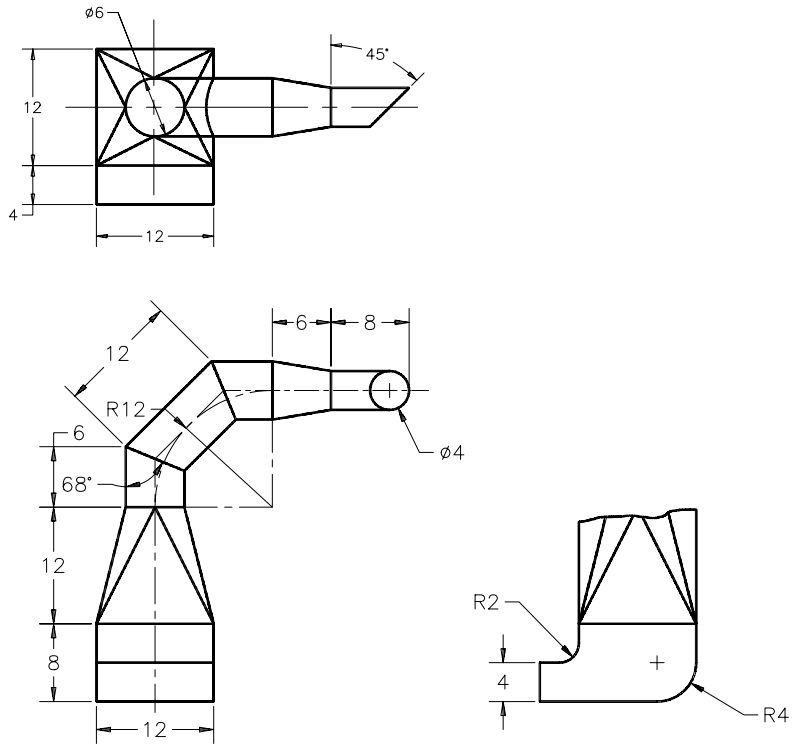
Figure ME29-2



3. Exhaust Duct System

Complete the three views of the exhaust duct system shown in Figure ME29-3. Calculate the dimension scale factor based on a plot scale of $1/8" = 1"$ for your plot device sheet size. Save the drawing as CH29EX3-M.

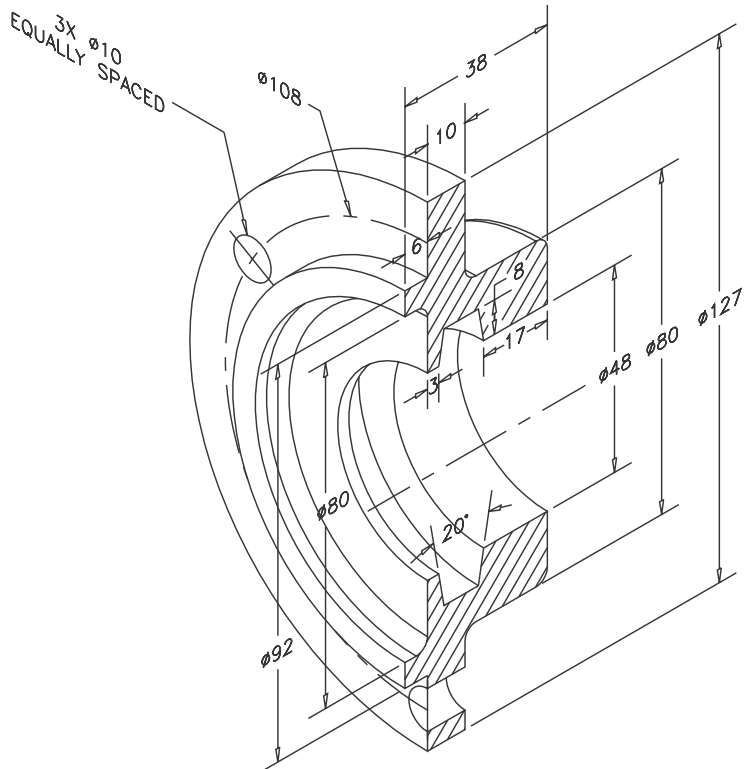
Figure ME29-3



4. Fixed Bearing Cup

Complete a full section with dimensions of the fixed bearing cup displayed in Figure ME29-4. Save the drawing as CH29EX4-M.

Figure ME29-4



ALL FILLETS AND ROUNDS R3