

CHAPTER 21

TFTP

21.1 MULTIPLE-CHOICE QUESTIONS

1. d 3. d 5. c 7. b 9. d
11. c 13. d 15. d

21.2 EXERCISES

17. TFTP needs to use RRQ and WRQ messages for connection establishment and to let the server know what kind of service is required. These functions are served by various commands in FTP using the FTP control connection.
19. See Figure 21.1. The user datagram is 26 bytes.

Figure 21.1 Exercise 19

Ephemeral port number		69	
26		Checksum	
2		"R"	"e"
"p"	"o"	"I"	"t "
0	"n"	"e"	"t"
"a"	"s"	"c"	"i"
"i"	0		

21. See Figure 21.2.
23. See Figure 21.3
25. No standard answer.

Figure 21.2 Exercise 21

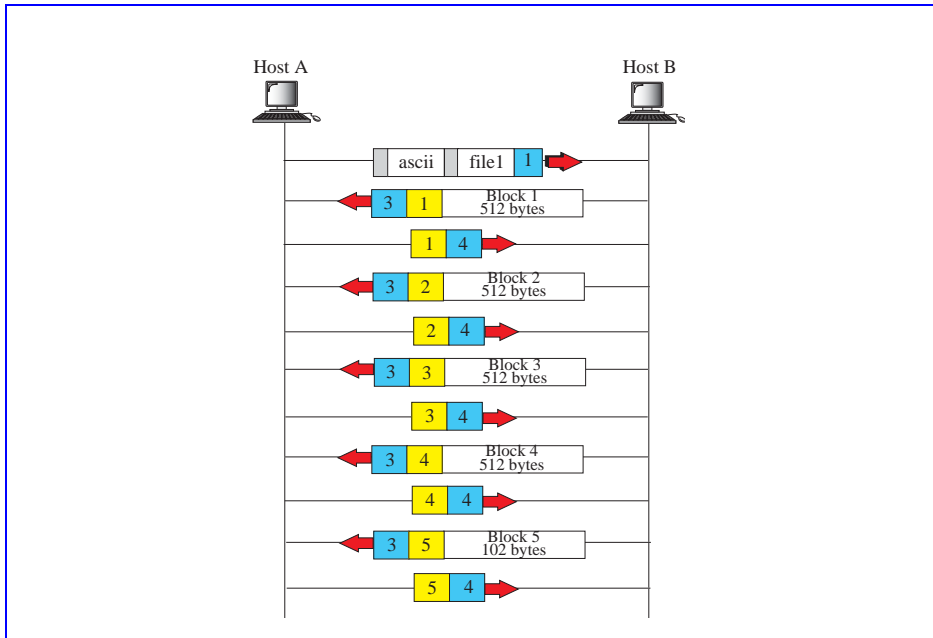


Figure 21.3 Exercise 23

