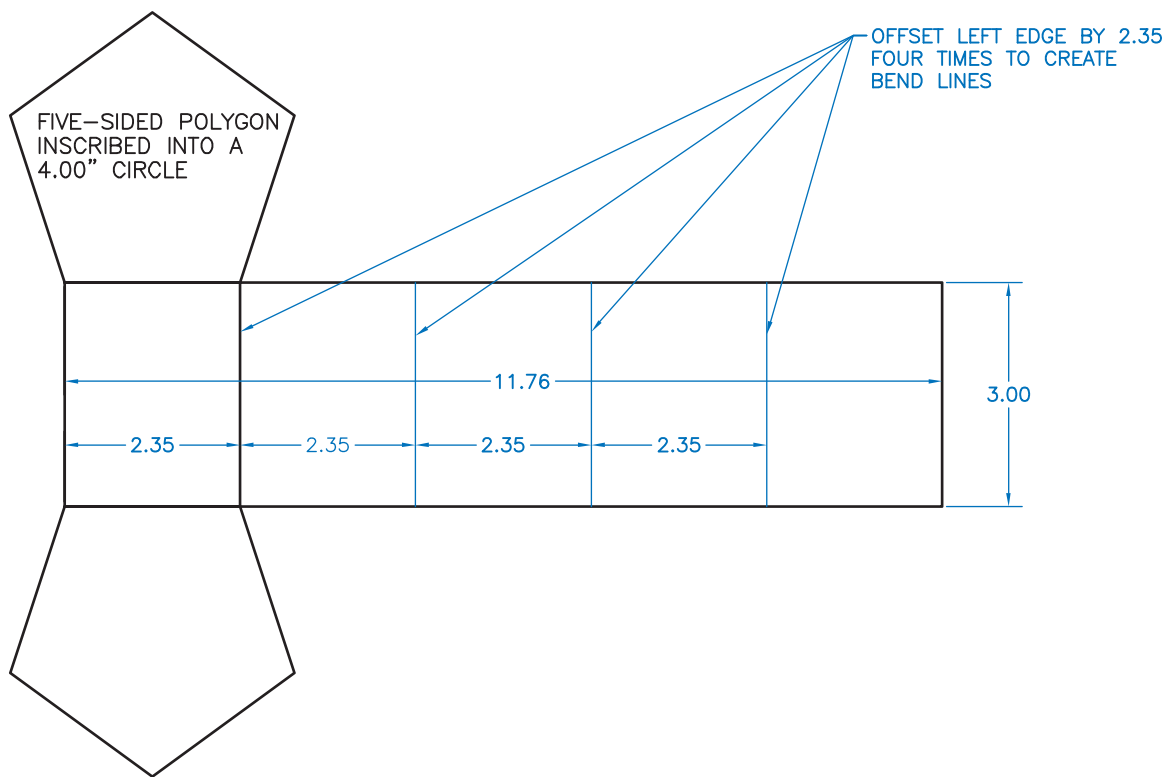


# AutoCAD Problem 3-1

## Chapter 3: Manipulating CAD Objects

### Five-Sided Box

Create a pattern for a five-sided box using the POLYGON, MIRROR, and LINE commands. To create the bend lines, use the OFFSET command to offset the left side of the rectangular part of the pattern to the right four times, as shown below. Use the dimensions shown to create the pattern, but do not include the dimensions on your drawing. When you have finished, print the drawing and use scissors and tape to assemble the box.

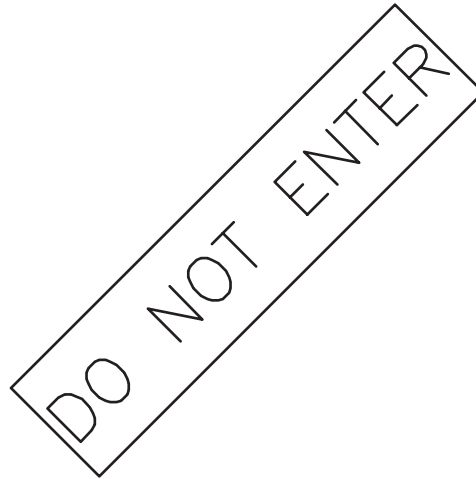


## AutoCAD Problem 3-2

### Chapter 3: Manipulating CAD Objects

#### DO NOT ENTER Sign

Create the DO NOT ENTER sign shown below. Use the DTEXT command with .50" letters and a rotation angle of 0. Create the rectangle to enclose the text using the RECTANG command. Rotate both the rectangle and the text 45° using the ROTATE command.



## AutoCAD Problem 3-3

### Chapter 3: Manipulating CAD Objects

#### Template

Create the template shown below using the CIRCLE, RECTANG, POLYGON, and TRIM commands. Use the dimensions shown to create the template, but do not add the dimensions to your drawing. Inscribe the pentagon inside a .50" circle. Make the sides of the square .50".

