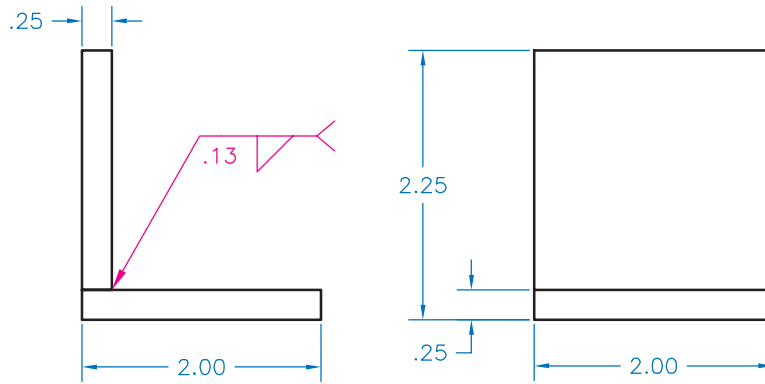


AutoCAD Problem 10-1

Chapter 10: Weld Representations

Simple Weld Representation

Create the multiview projection shown below. Use DesignCenter to insert the fillet weld symbol.

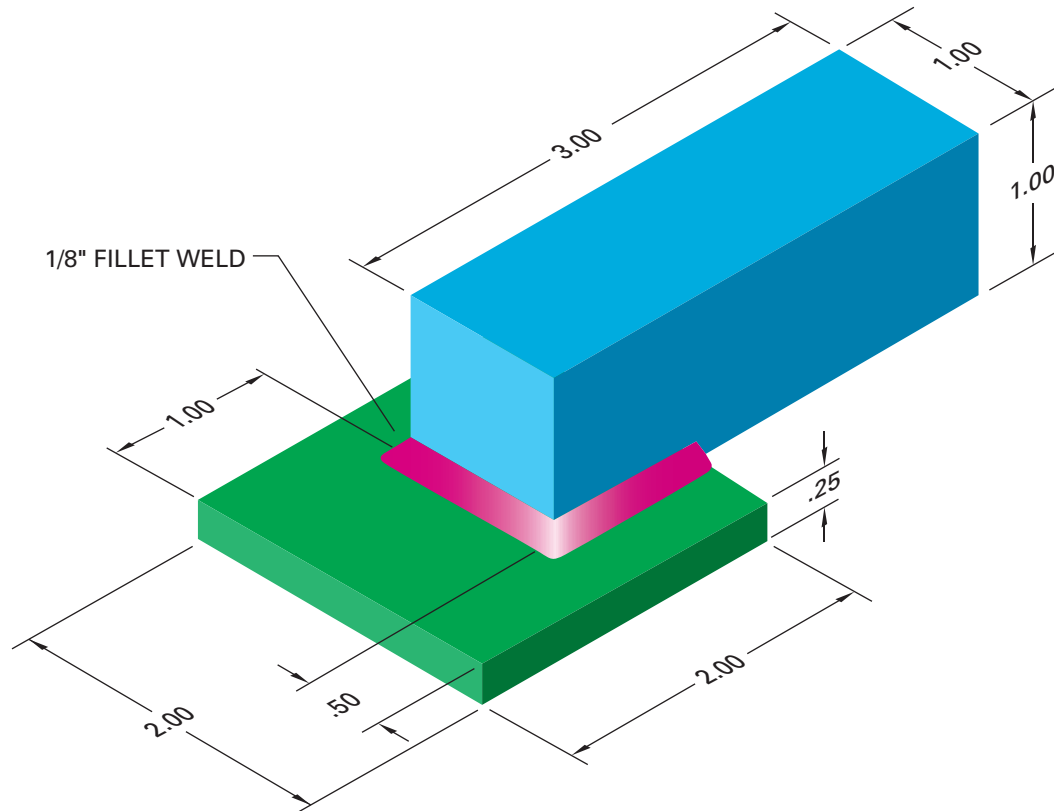


AutoCAD Problem 10-2

Chapter 10: Weld Representations

Multiview Projection of Welded Assembly

Create a multiview projection of the assembly shown below. Use the correct weld symbol for the weld.



AutoCAD Problem 10-3

Chapter 10: Weld Representations

Pole Holder

Create the two-view detail drawing of the pole holder shown below. Place the dimensions and weld symbols on separate layers.

