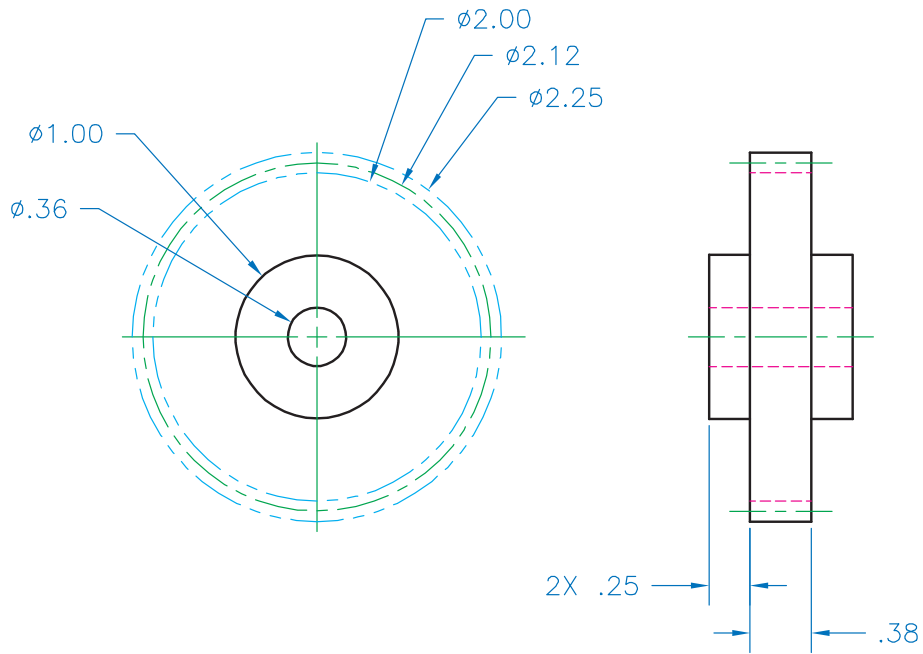


# AutoCAD Problem 13-1

## Chapter 13: Rotary Devices

### Spur Gear

Create a two-view drawing of the spur gear as shown below. Include the dimensions.



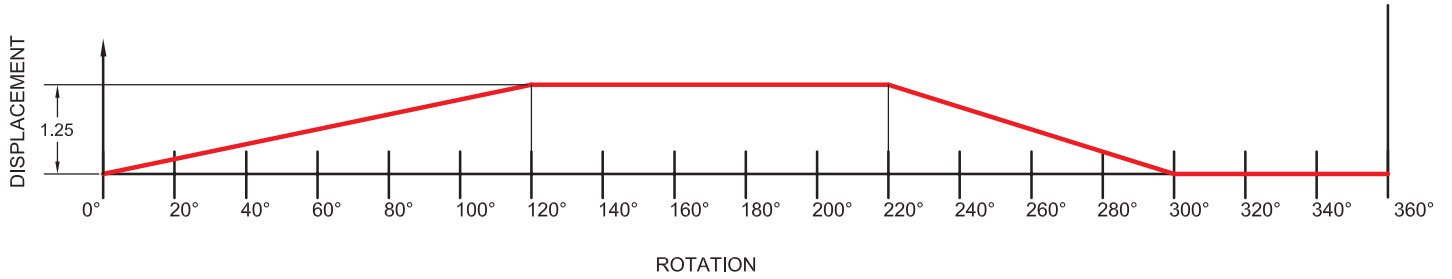


# AutoCAD Problem 13-2

## Chapter 13: Rotary Devices

### Displacement Diagram

Create the displacement diagram shown here. Then write a paragraph describing the movement of the cam.



# AutoCAD Problem 13-3

Chapter 13: Rotary Devices

## Gear Rack

Create the simplified drawing of a gear rack as shown below. Include the dimensions.

