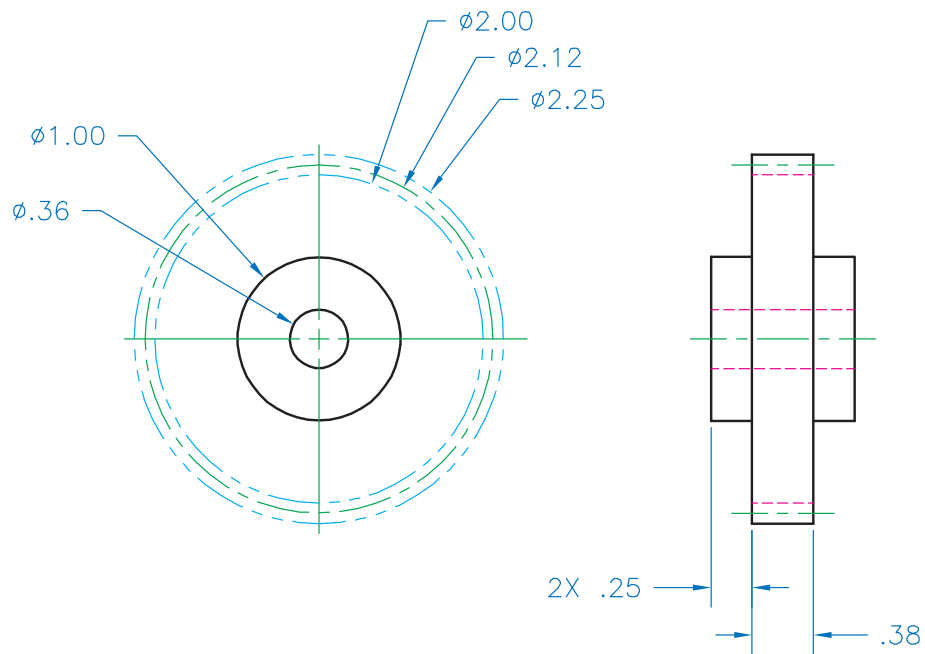


AutoCAD LT Problem 13-1

Chapter 13: Rotary Devices

Spur Gear

Create a two-view drawing of the spur gear as shown below. Include the dimensions.

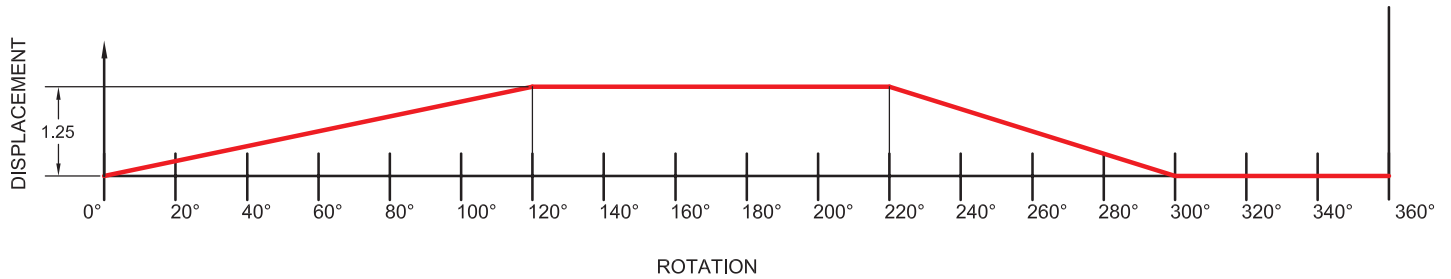


AutoCAD LT Problem 13-2

Chapter 13: Rotary Devices

Displacement Diagram

Create the displacement diagram shown here. Then write a paragraph describing the movement of the cam.



AutoCAD LT Problem 13-3

Chapter 13: Rotary Devices

Gear Rack

Create the simplified drawing of a gear rack as shown below. Include the dimensions.

